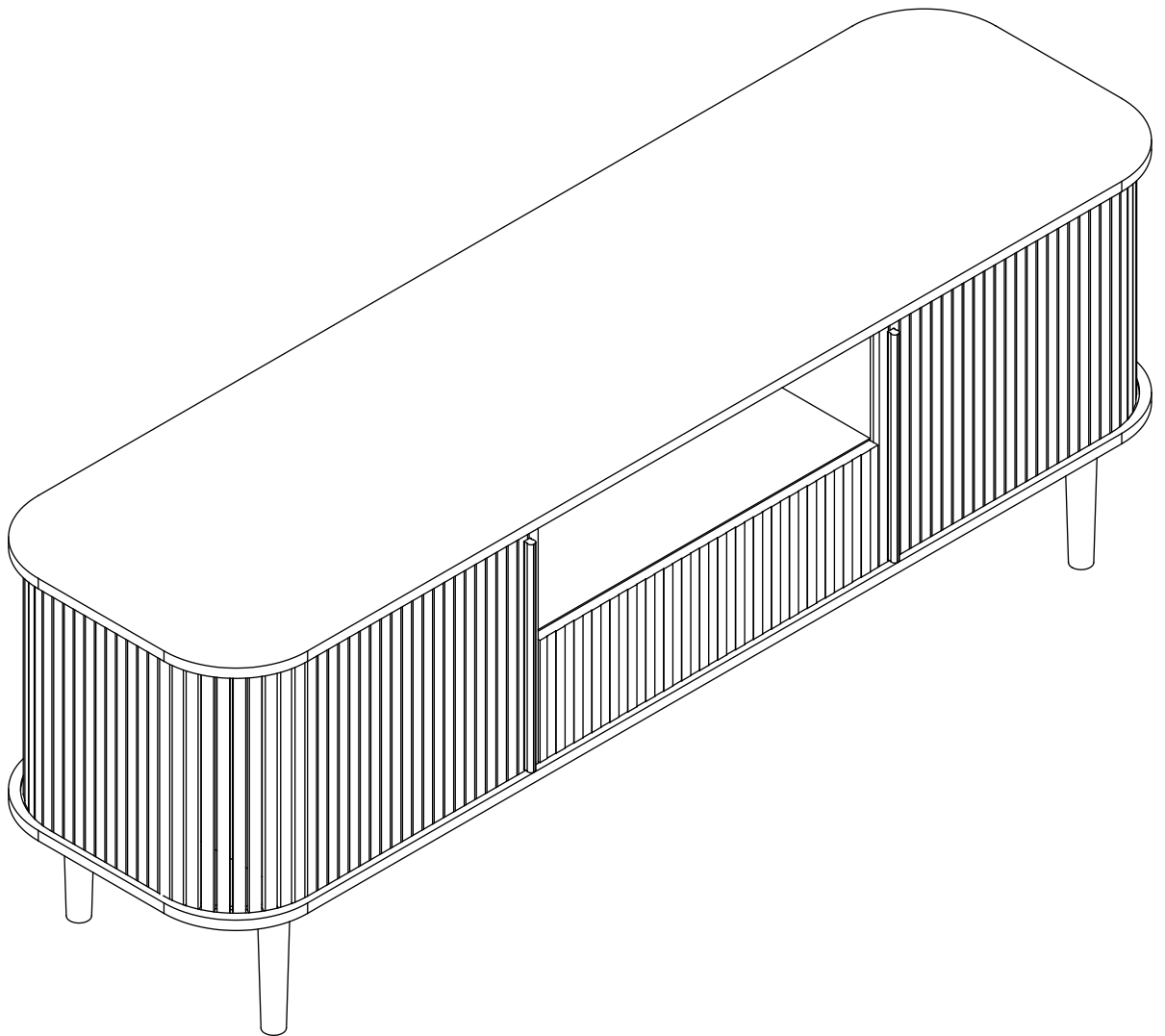


Maeve

Entertainment Unit

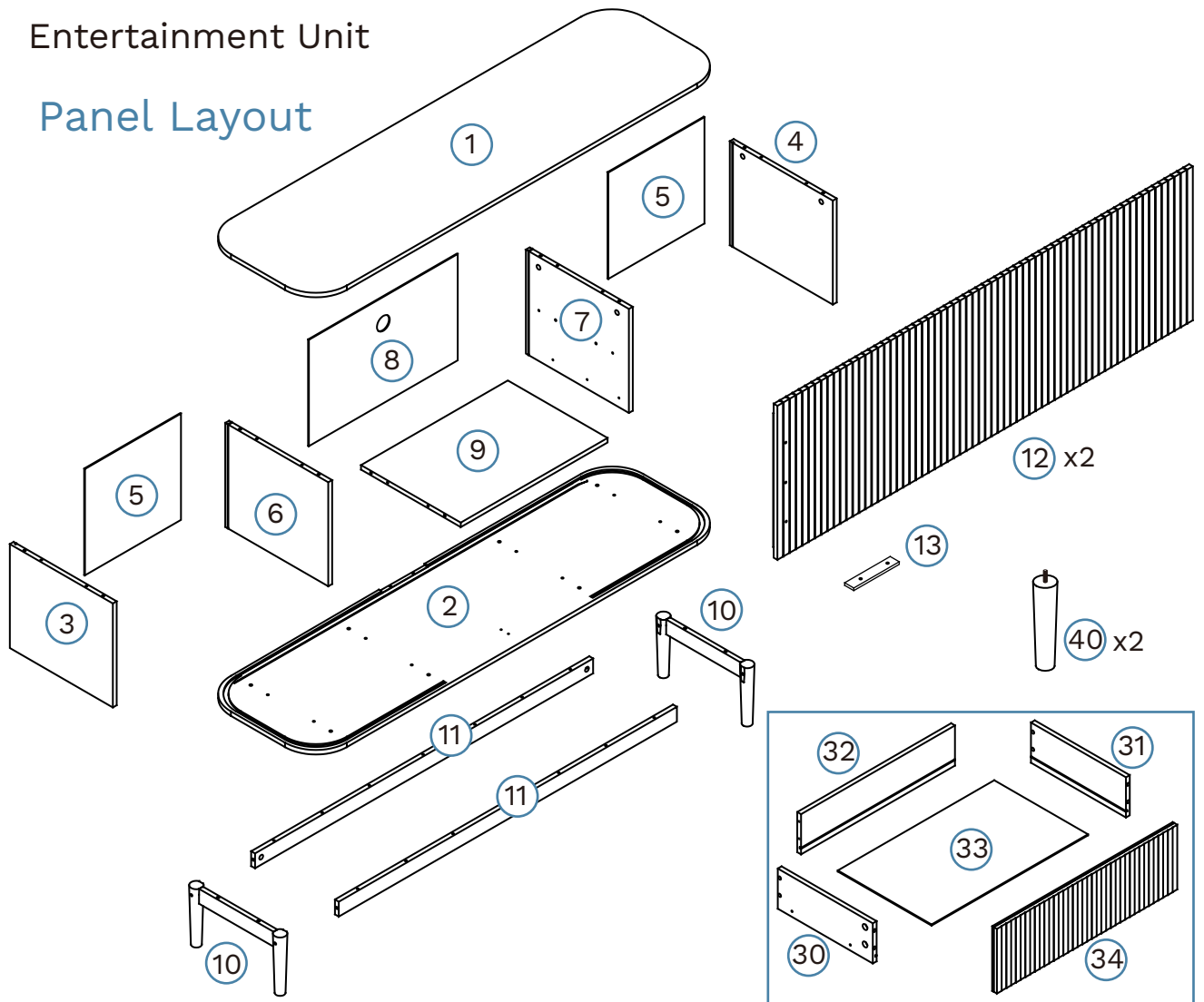
Thank you for your purchase. Please follow the instructions for correct assembly. While we took great effort to ensure these assembly instructions were correct at the time of printing, sometimes updates are required post production. For the most up to date versions please refer to the product page on our website. mocka.com.au/mocka.co.nz



Maeve

Entertainment Unit

Panel Layout











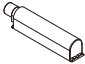










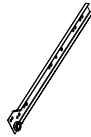
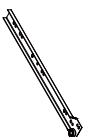




Partlist






①	Top Panel	x1	⑪	Rail	x2
②	Bottom Panel	x1	⑫	Door	x2
③	Left Side Panel	x1	⑬	Rail	x1
④	Right Side Panel	x1	⑳	Left Drawer Side	x1
⑤	Back Panel	x2	㉑	Right Drawer Side	x1
⑥	Divider	x1	㉒	Drawer Back	x1
⑦	Divider	x1	㉓	Drawer Base	x1
⑧	Back Panel	x1	㉔	Drawer Front	x1
⑨	shelf Panel	x1	④①	Support Leg	x2
⑩	Leg	x2			

Maeve

Entertainment Unit

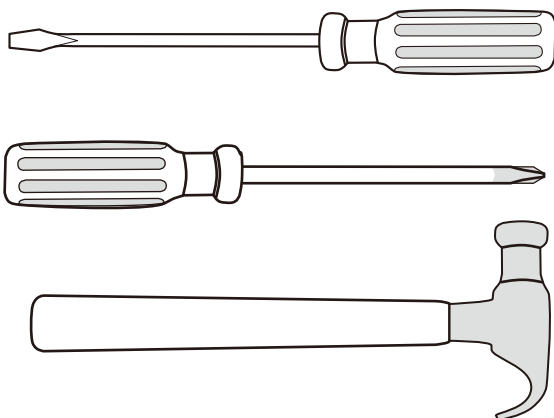
A  dowel x26	B  screw x8	C  bolt x16	D  locking nut x16	E  screw x13	F  bolt x4	G  long bolt x4	H  wedge x8	I  screw x8	J  Allen Key x1	K  cover x1	L  seal x1	M  screw x4
N  bracket x1	O  plastic glide x4	P  handle x2	Q  screw x6	R  long screw x12	S  adjuster x2	T  screw x2	U  hexagonal nut x2	CL  slide rail x1	CR  slide rail x1	DL  slide rail x1	DR  slide rail x1	

HARDWARE SUPPLIED

V  safety strap x1	W  screw x 1	X  wall anchor x 1	Y  wall screw x 1	Z  washer x 2
---	---	---	--	--

WALL STRAP

WARNING: Any furniture that is not anchored to a wall has the potential to tip over in certain circumstances, i.e. if a child attempts to climb up on the furniture or in the event of an earthquake. Accordingly, we recommend that all furniture is anchored to a wall. We supply a free safety wall anchor with all furniture sold and we recommend these are used to prevent your product tipping. The fixing device provided should fit most wall types, but please note that different wall materials may require different fixing devices from those supplied.




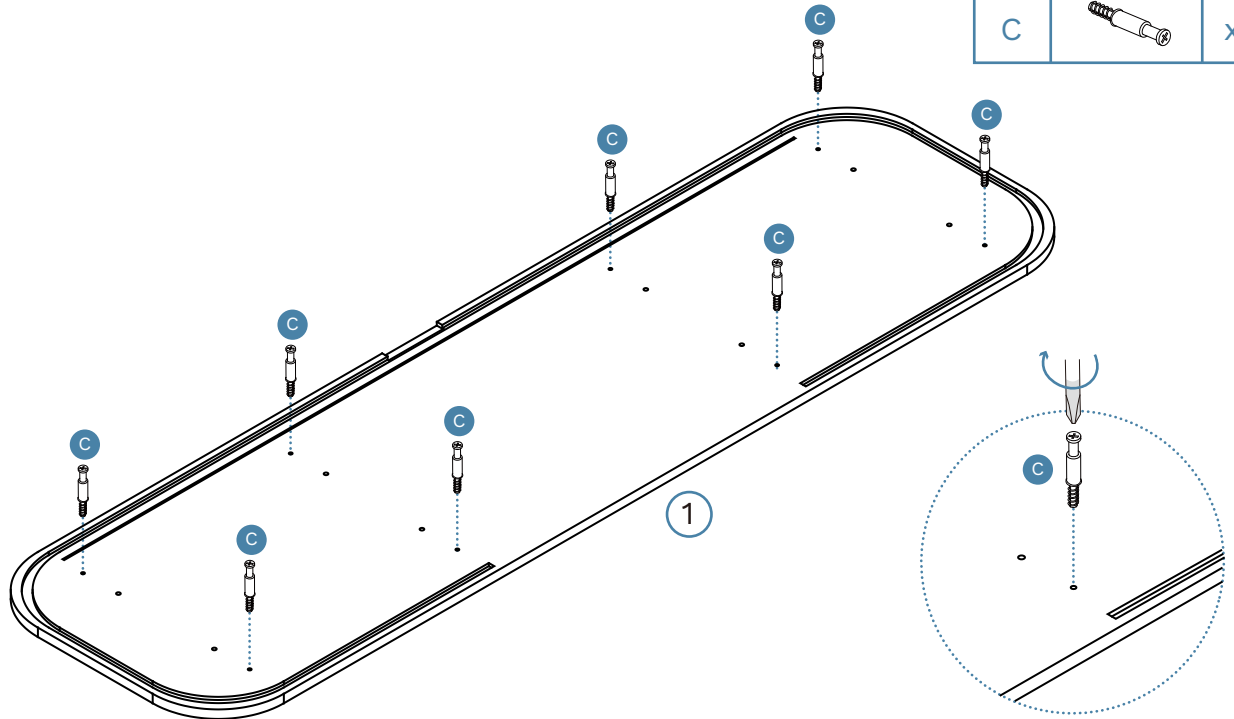
Phillips & Flathead screwdrivers
and hammer required
**For quicker assembly, we recommend the
use of a power drill on a low-speed setting.**

Maeve





Entertainment Unit

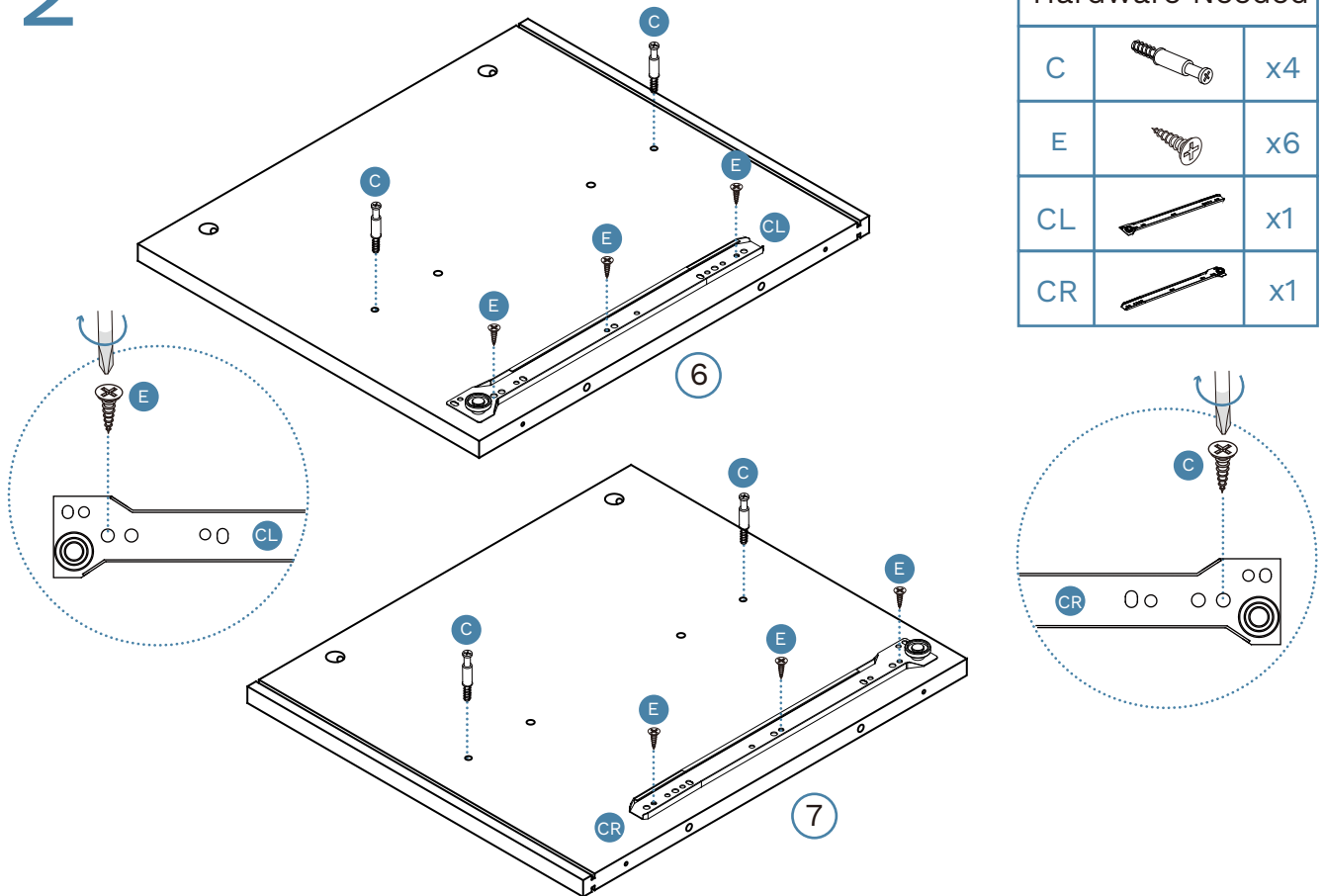
1

Hardware Needed		
C		x8



2

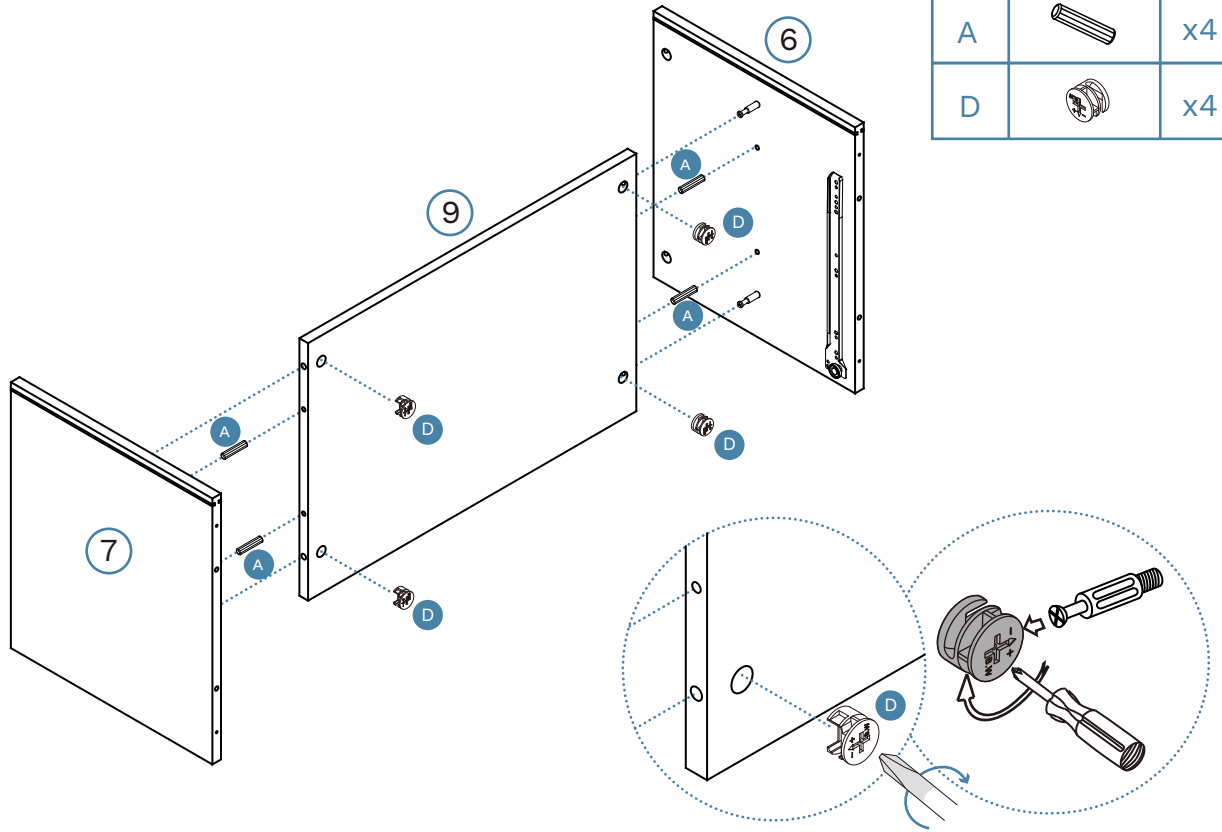
Hardware Needed		
C		x4
E		x6
CL		x1
CR		x1





Maeve

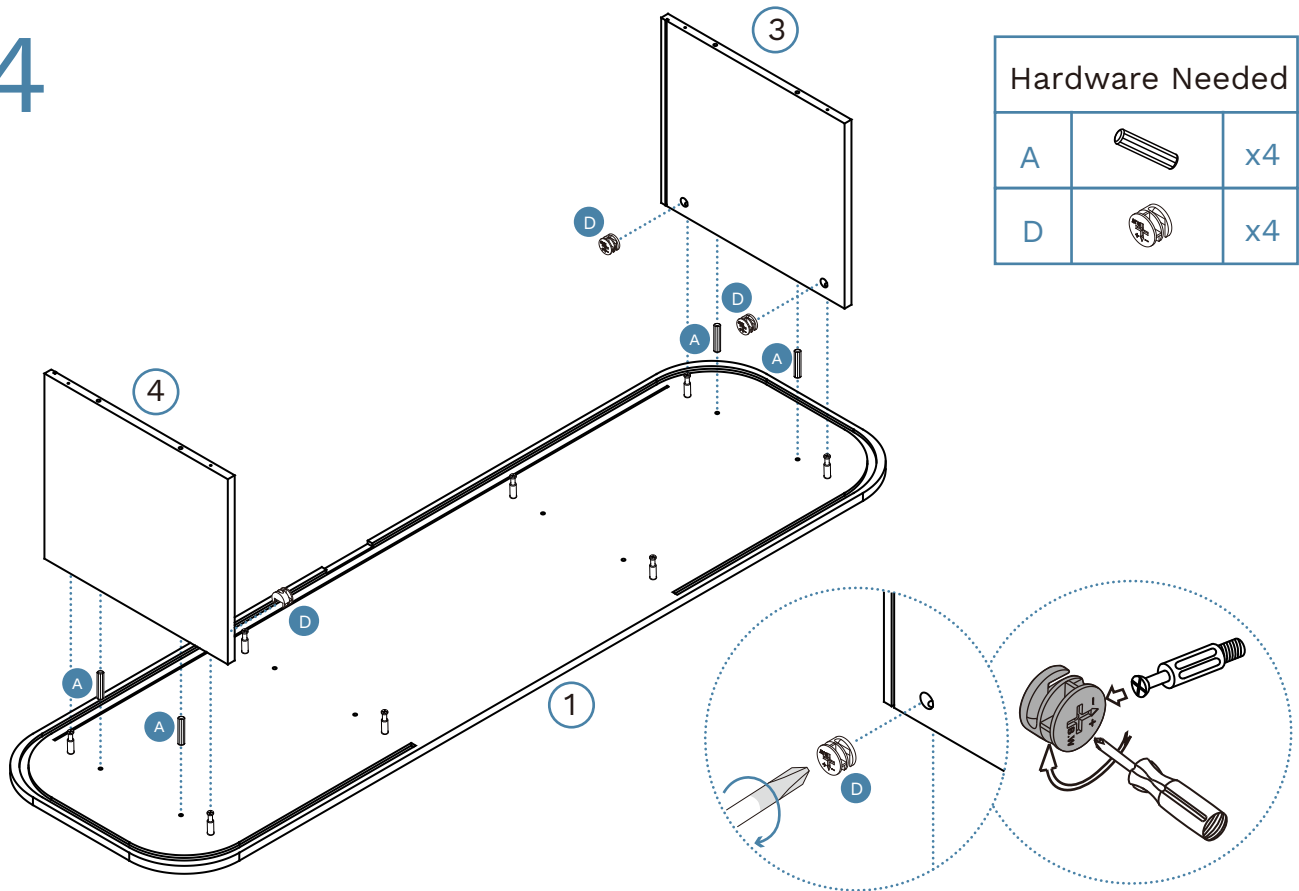
Entertainment Unit

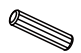

3



Hardware Needed		
A		x4
D		x4

4

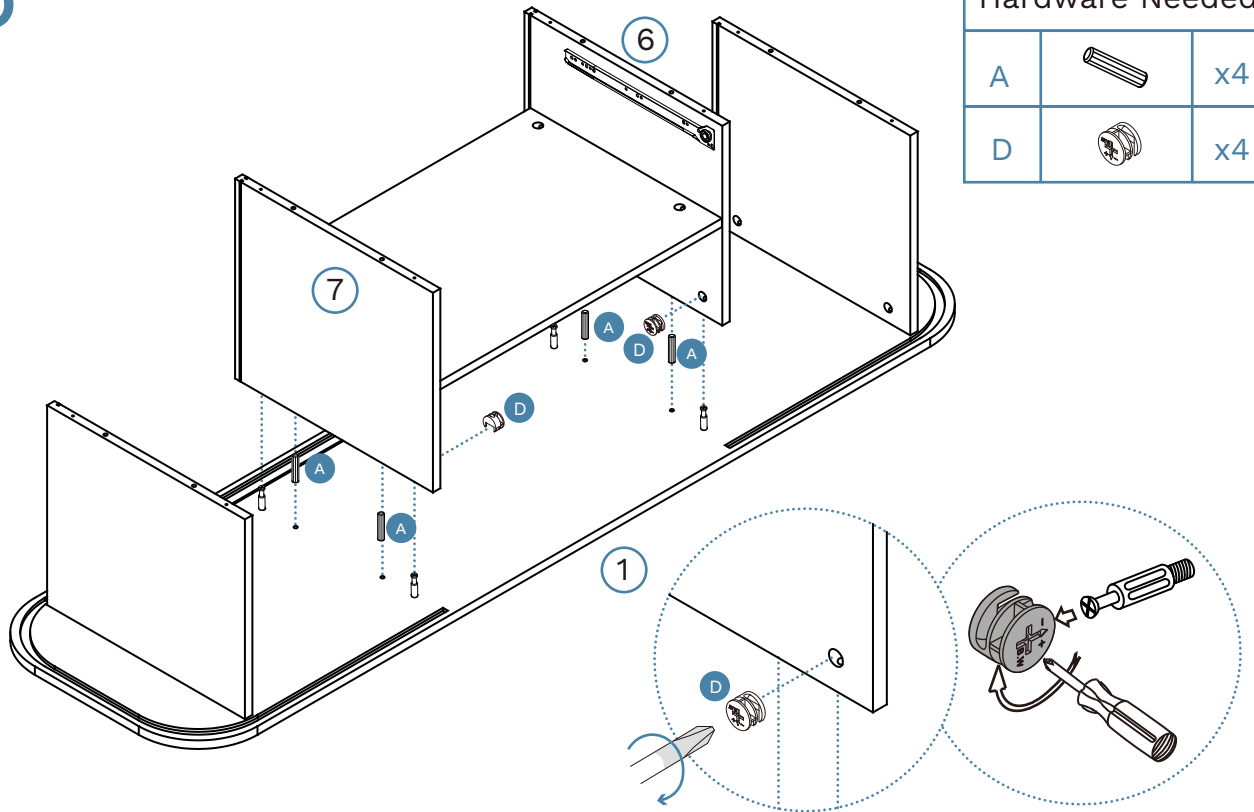


Hardware Needed		
A		x4
D		x4

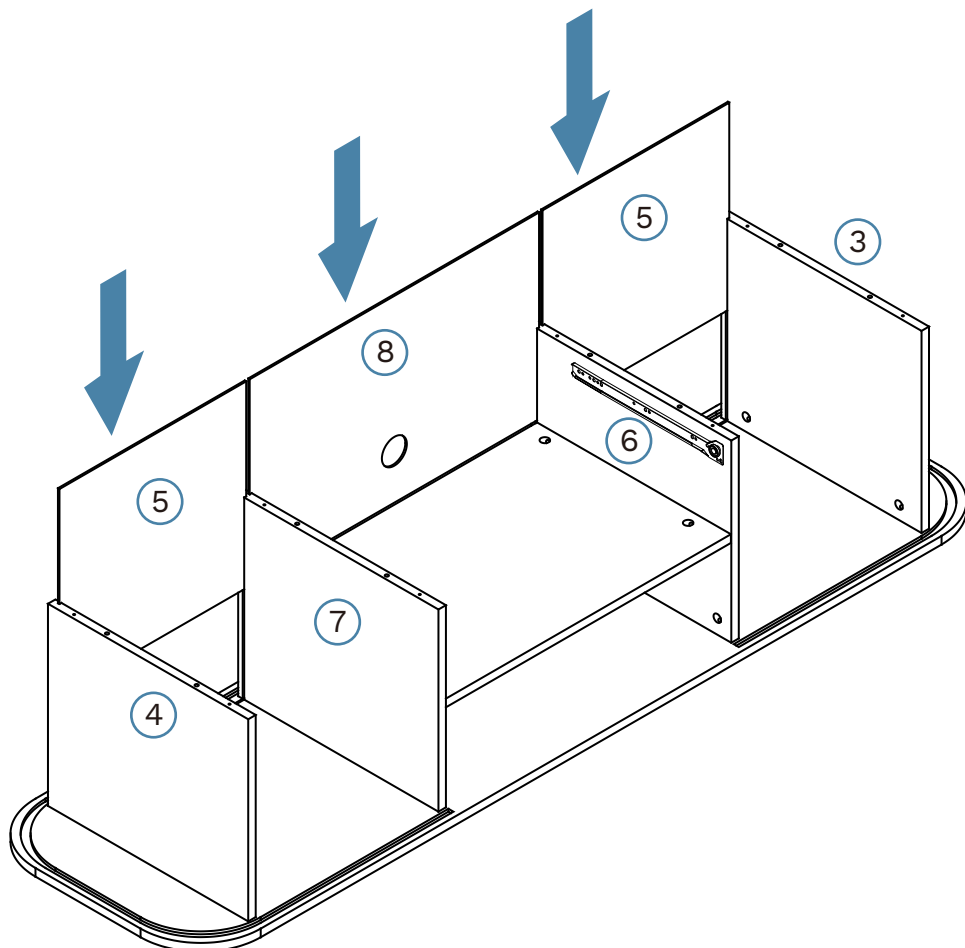
Maeve

Entertainment Unit

5



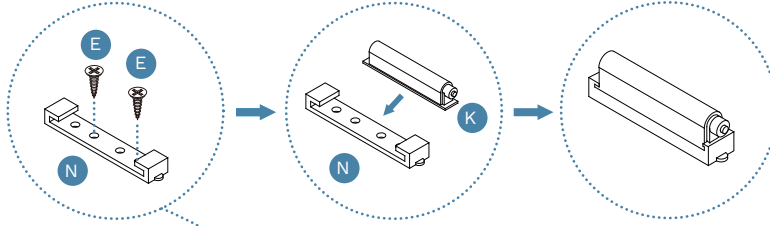
6



Maeve

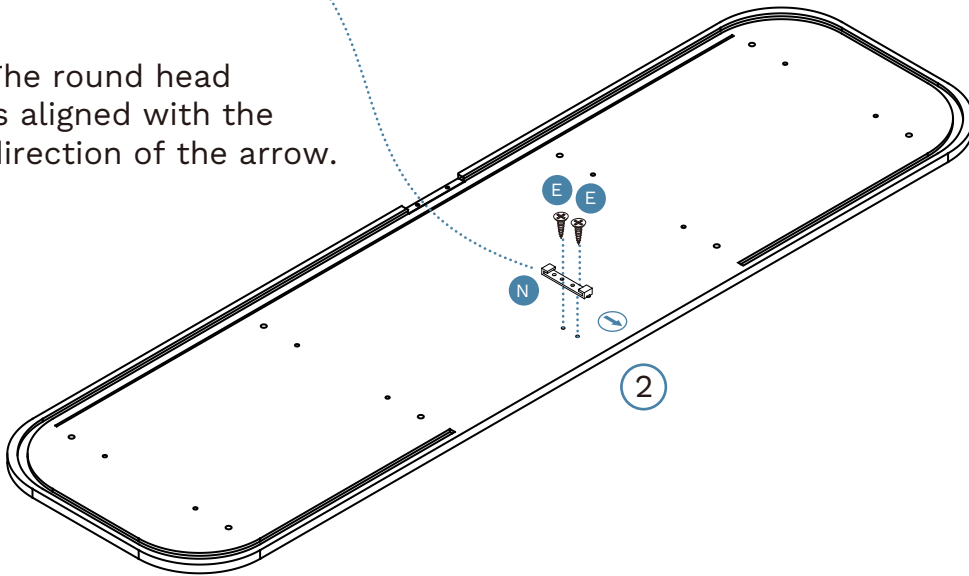
Entertainment Unit

7

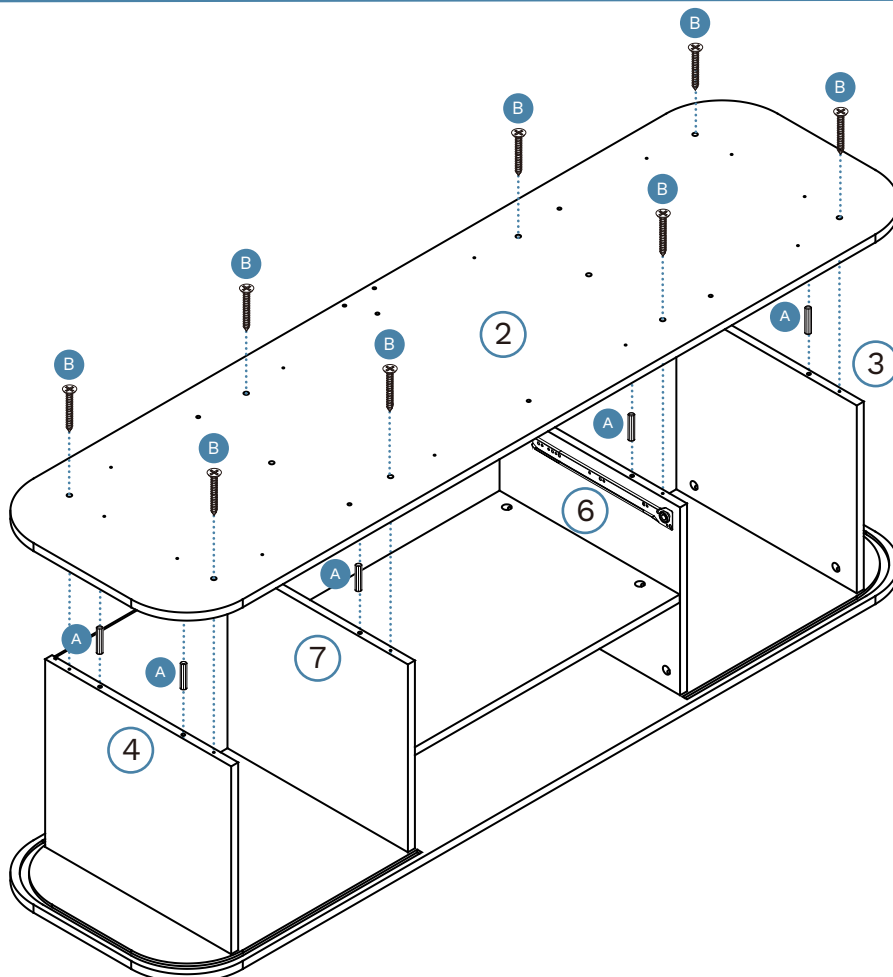


Hardware Needed		
E		x2
K		x1
N		x1

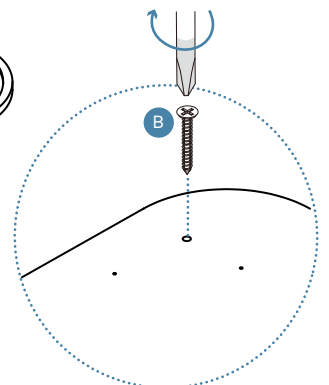
The round head is aligned with the direction of the arrow.



8



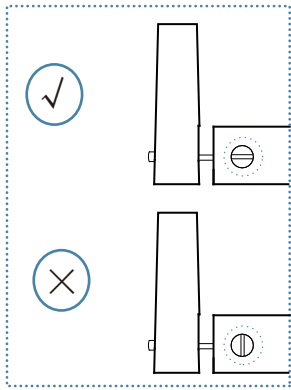
Hardware Needed		
A		x8
B		x8






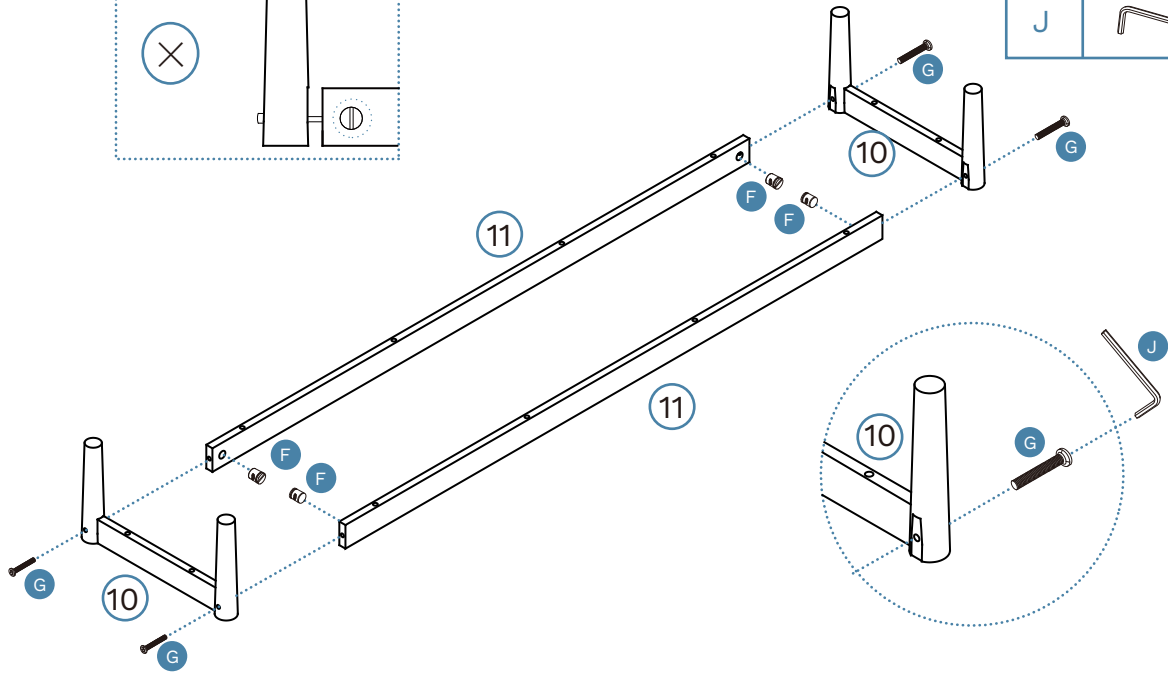
Maeve

Entertainment Unit



9

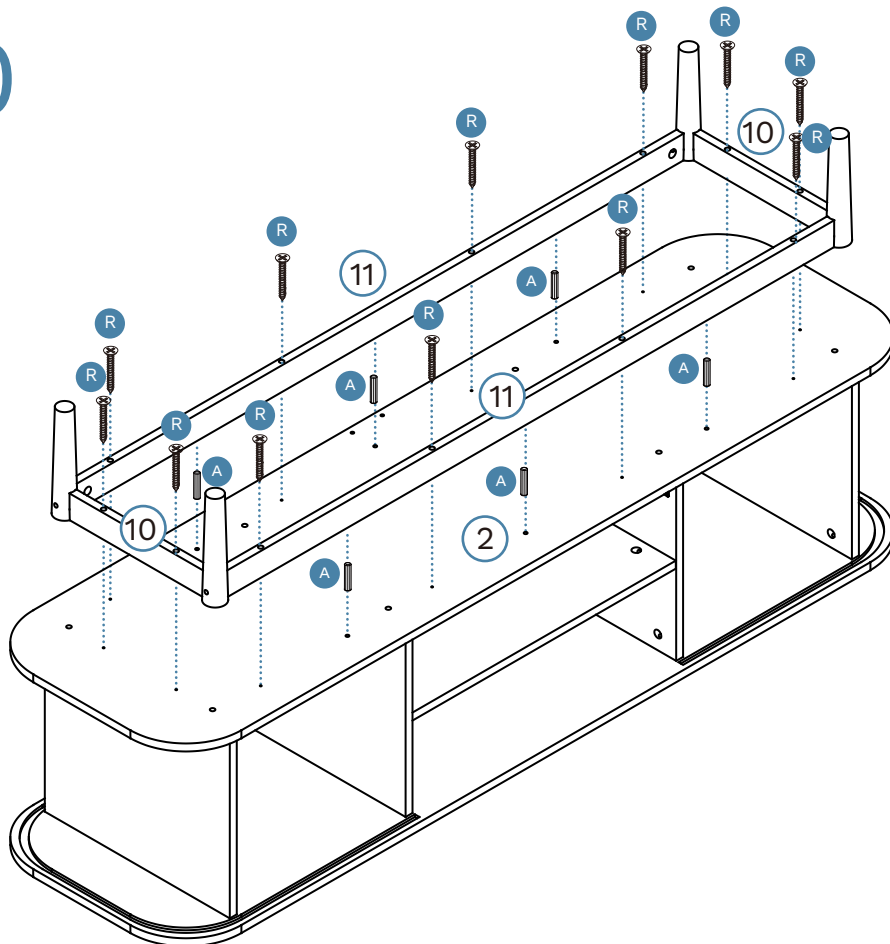


Hardware Needed		
F		x4
G		x4
J		x1



10

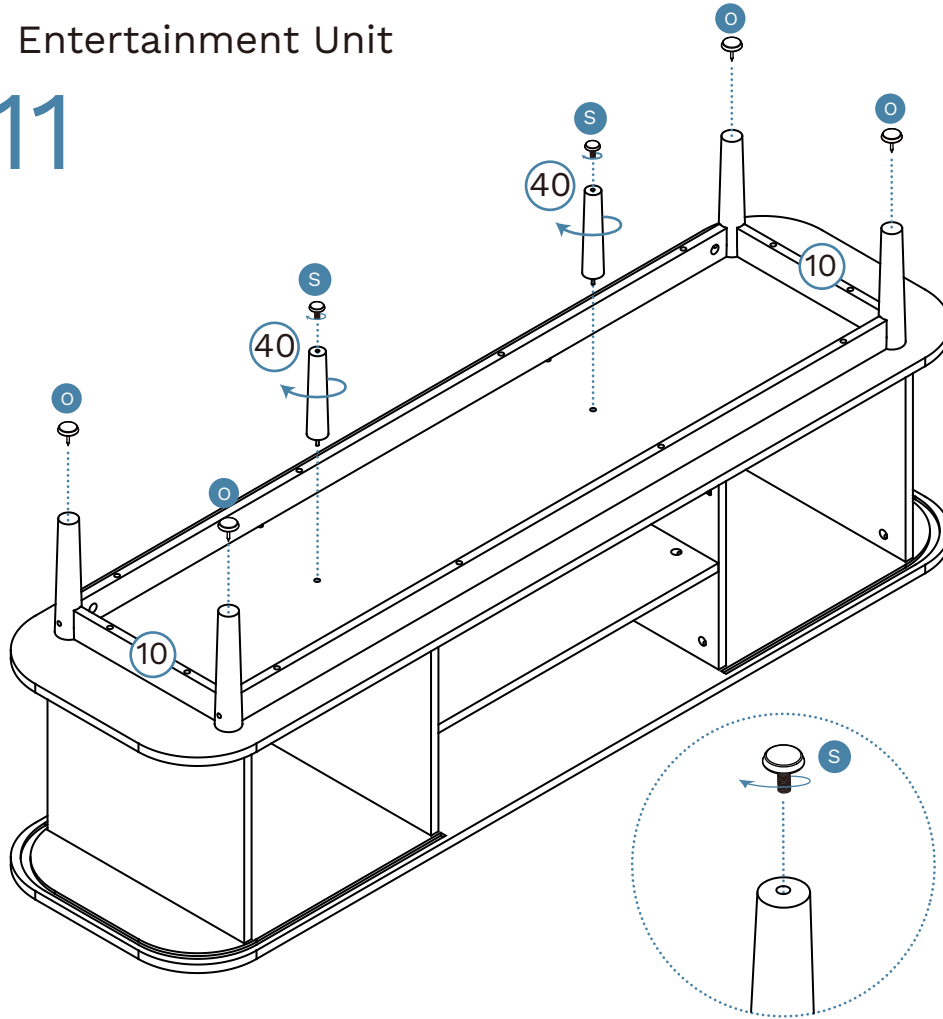
Hardware Needed		
A		x6
R		x12





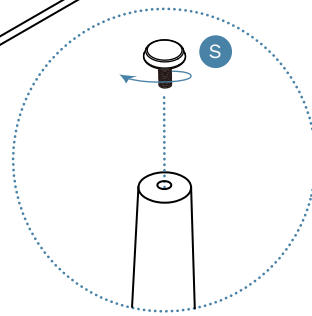
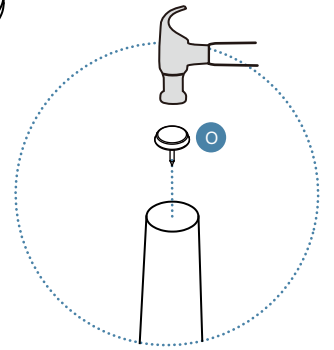
Maeve

Entertainment Unit

11

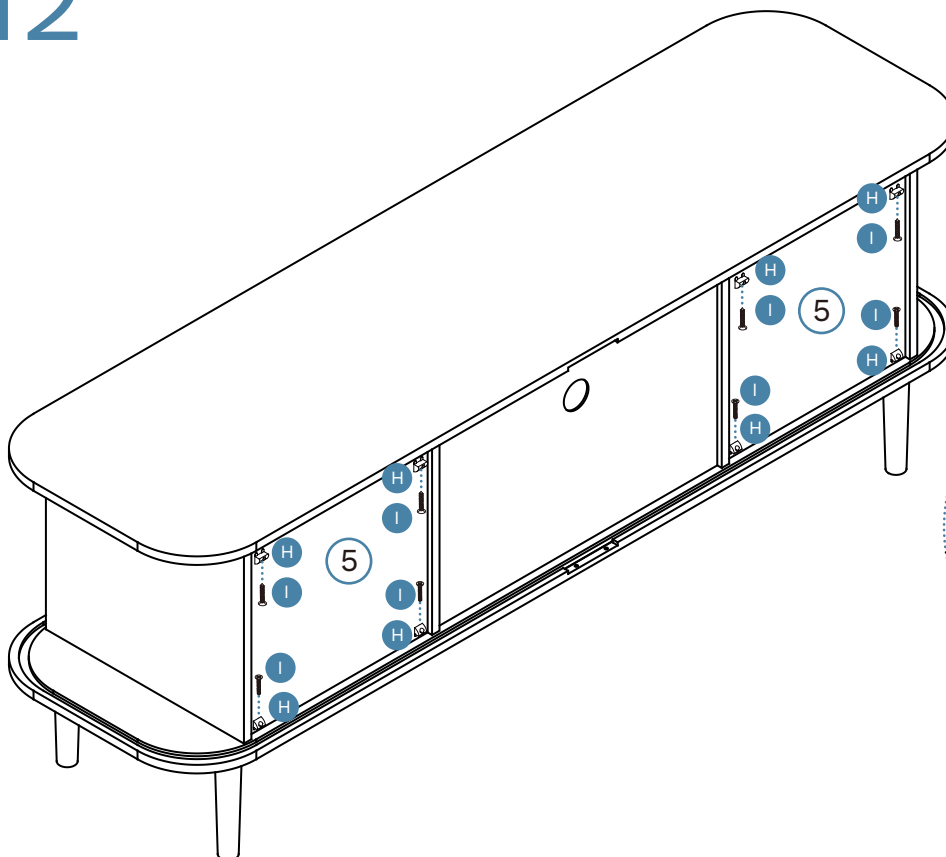



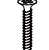
Hardware Needed		
O		x4
S		x2

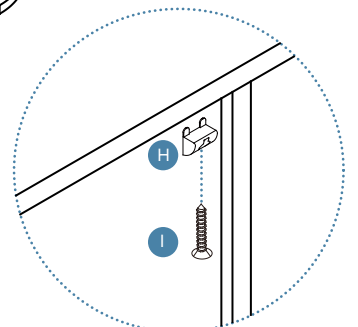


TURN OVER

12





Hardware Needed		
H		x8
I		x8

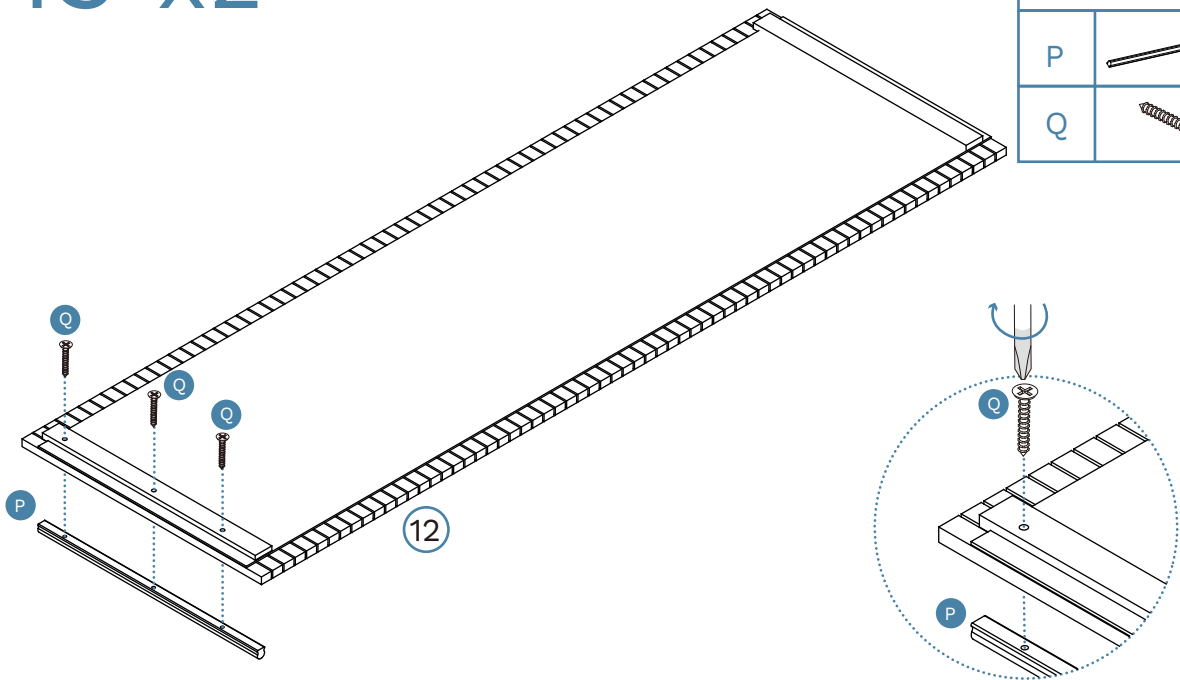


Maeve

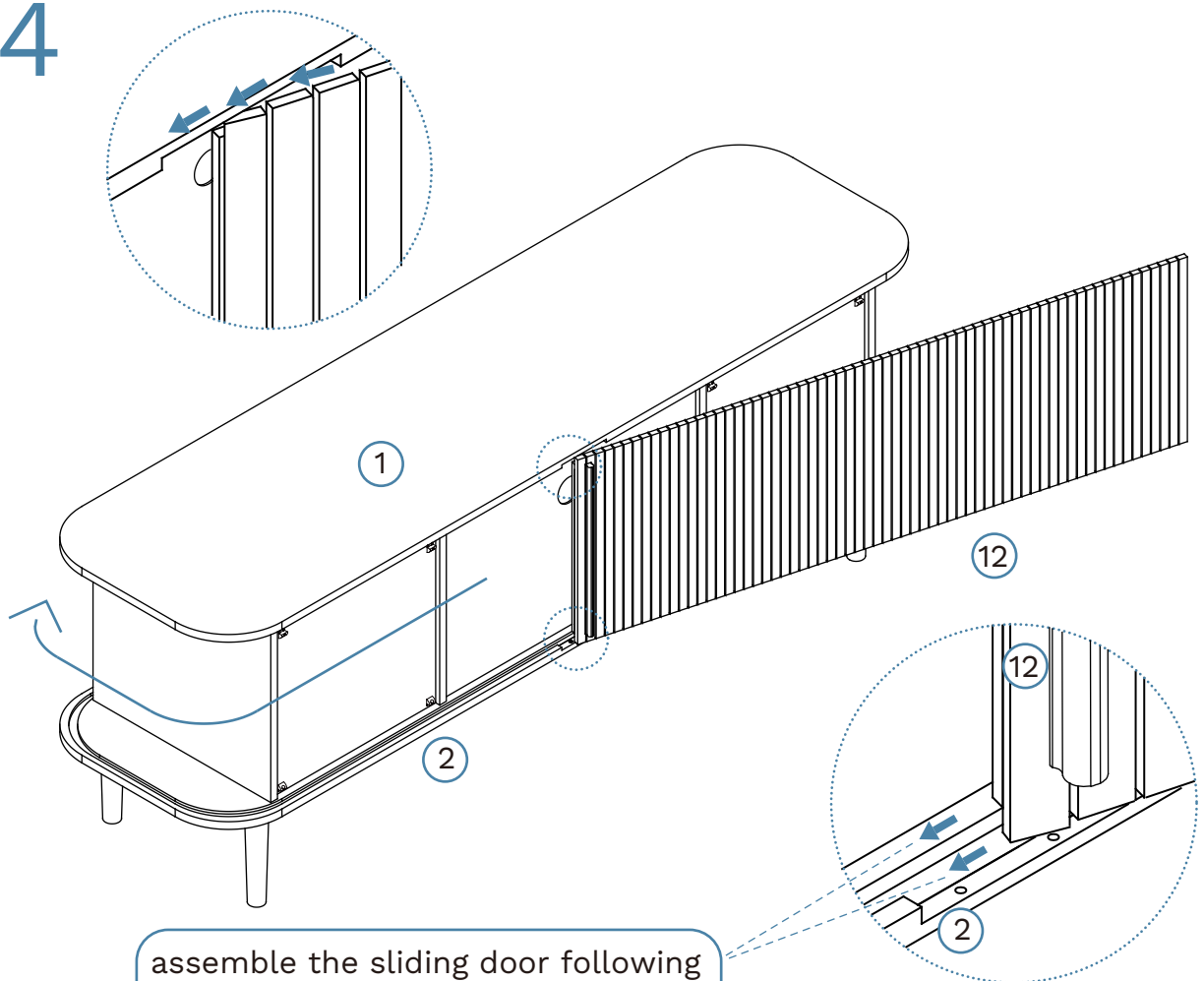
Entertainment Unit

13 x2

Hardware Needed		
P		x2
Q		x6



14

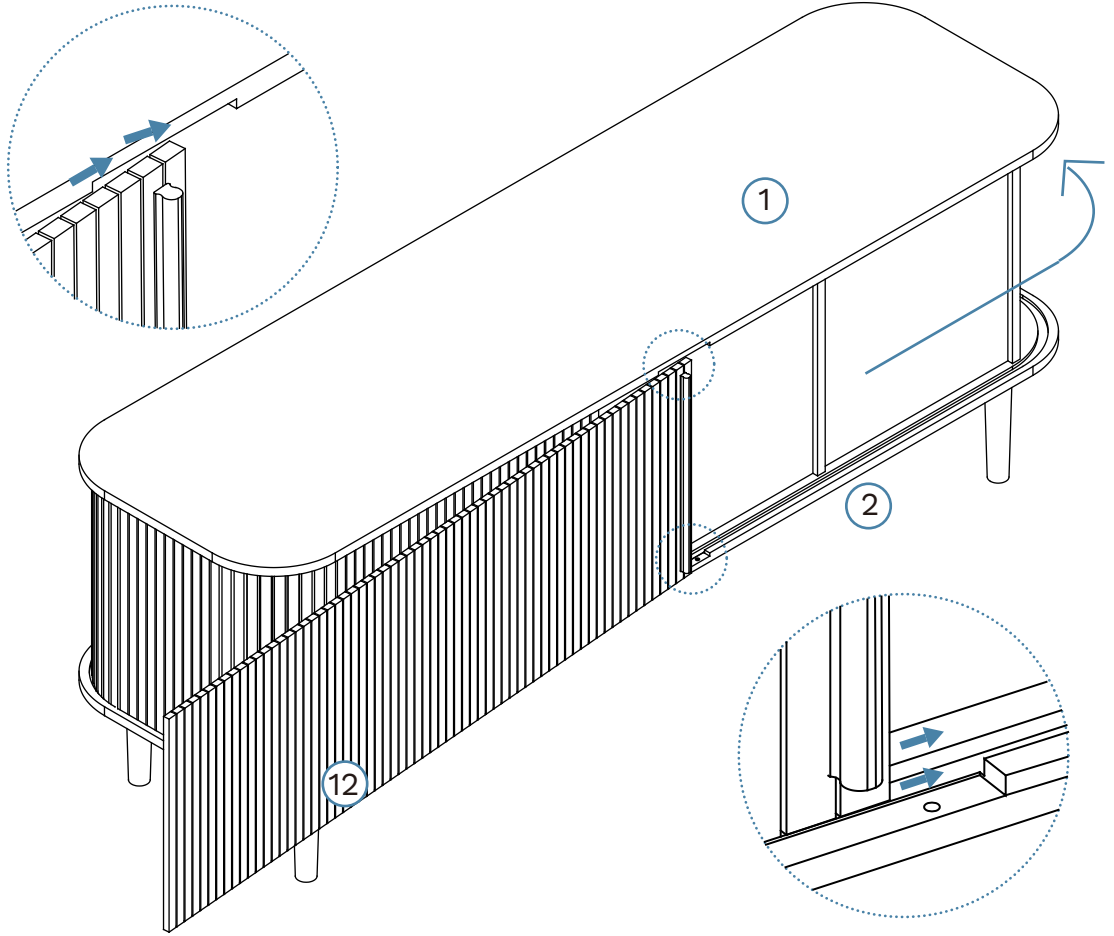


assemble the sliding door following the track of the arrow mark.

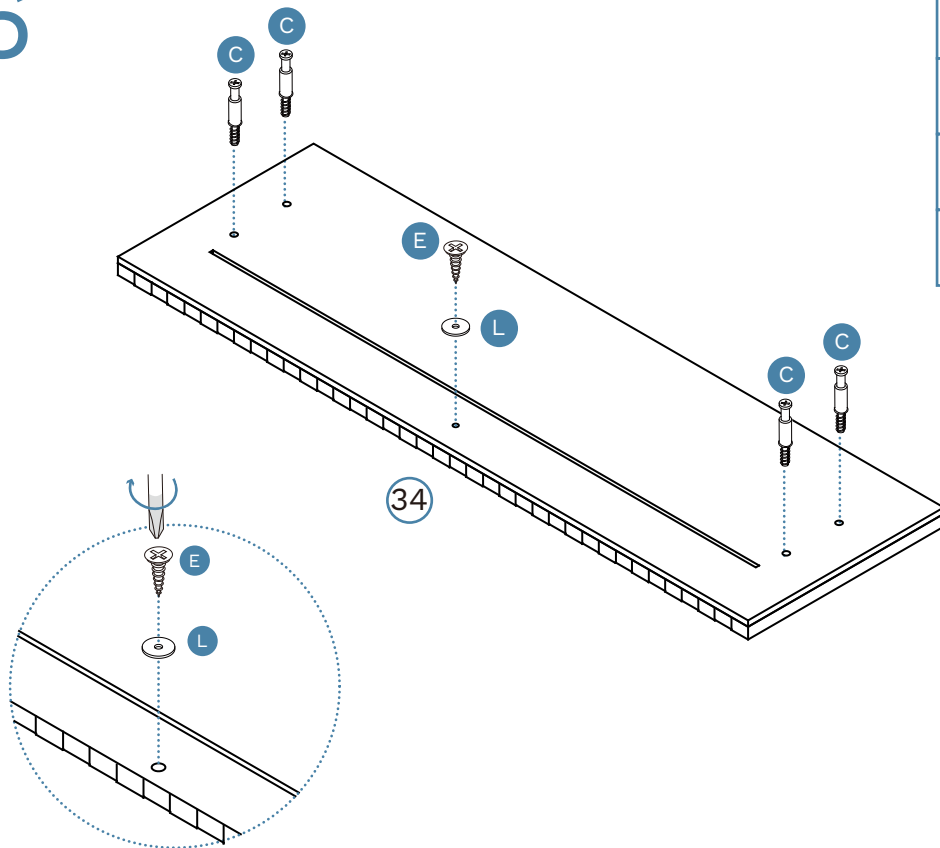
Maeve




Entertainment Unit

15



16

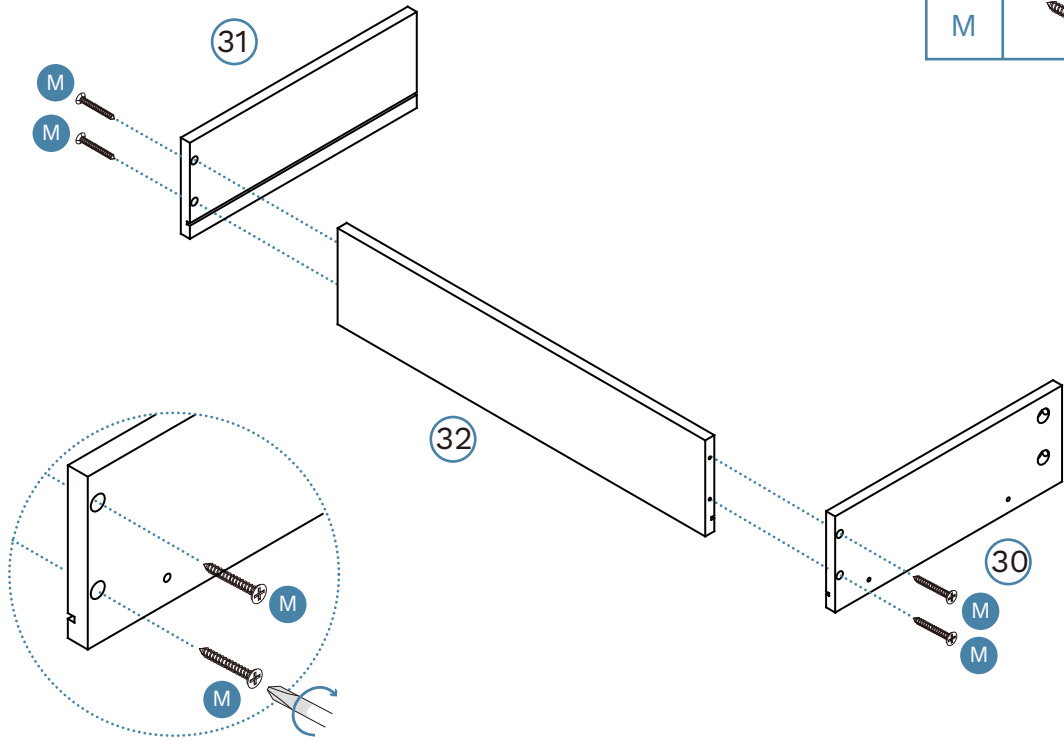



Hardware Needed		
C		x4
E		x1
L		x1

Maeve

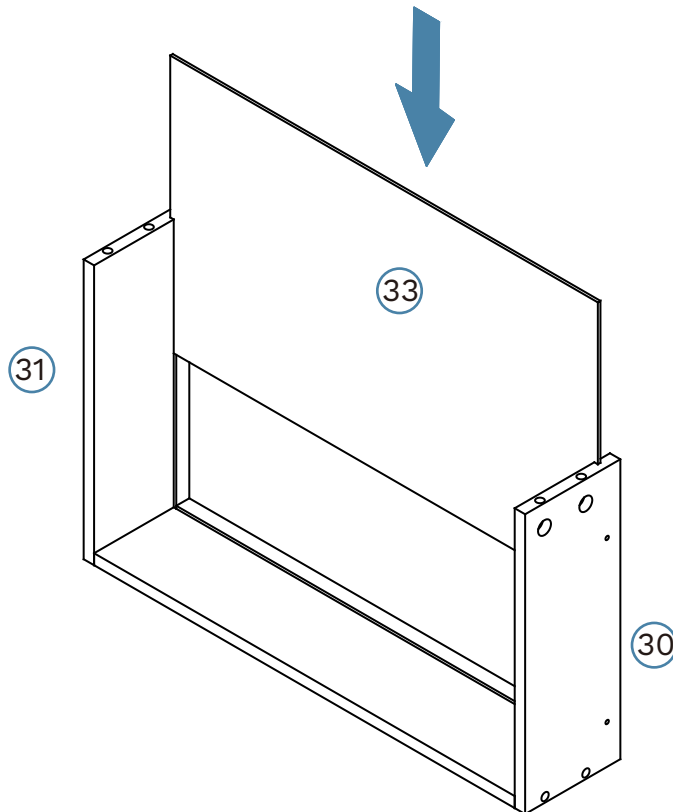
Entertainment Unit

17



Hardware Needed		
M		x4

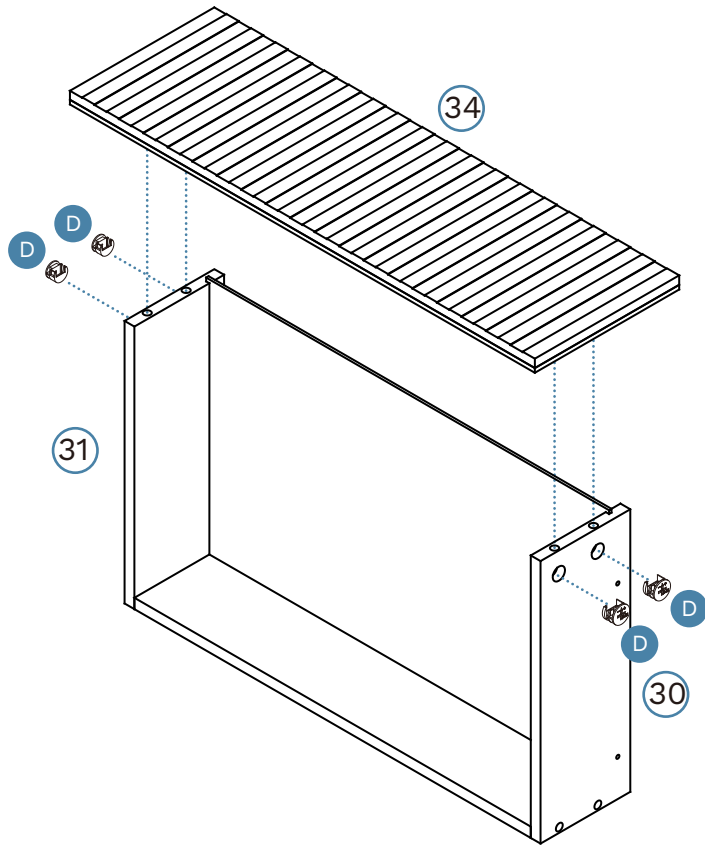
18



Maeve

Entertainment Unit

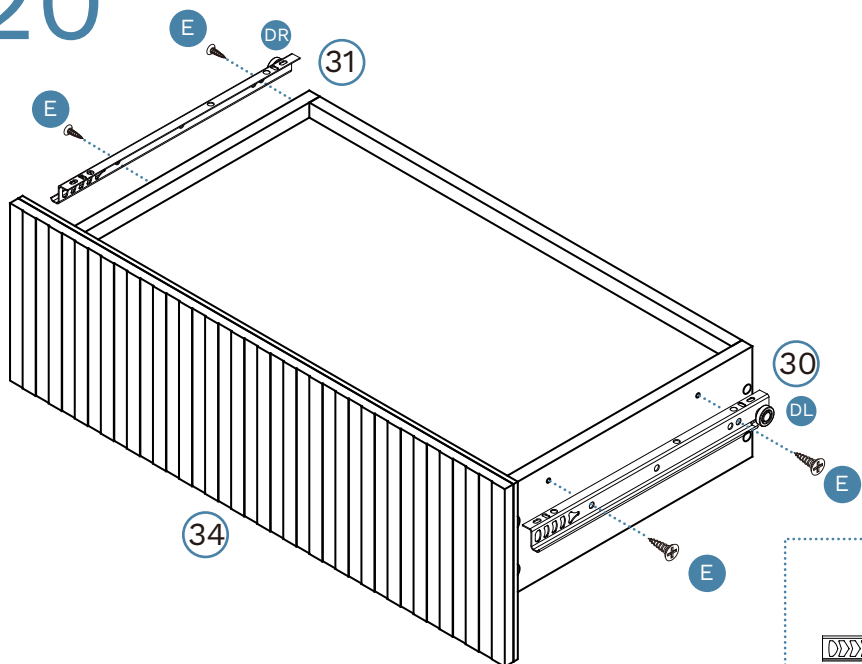
19






Hardware Needed

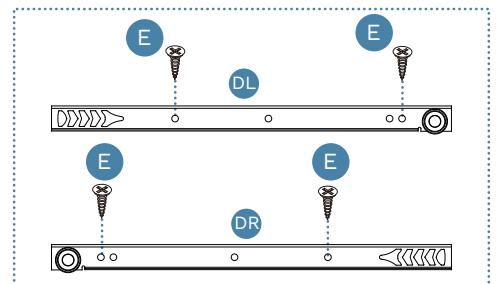
D		x4
---	---	----

20



Hardware Needed

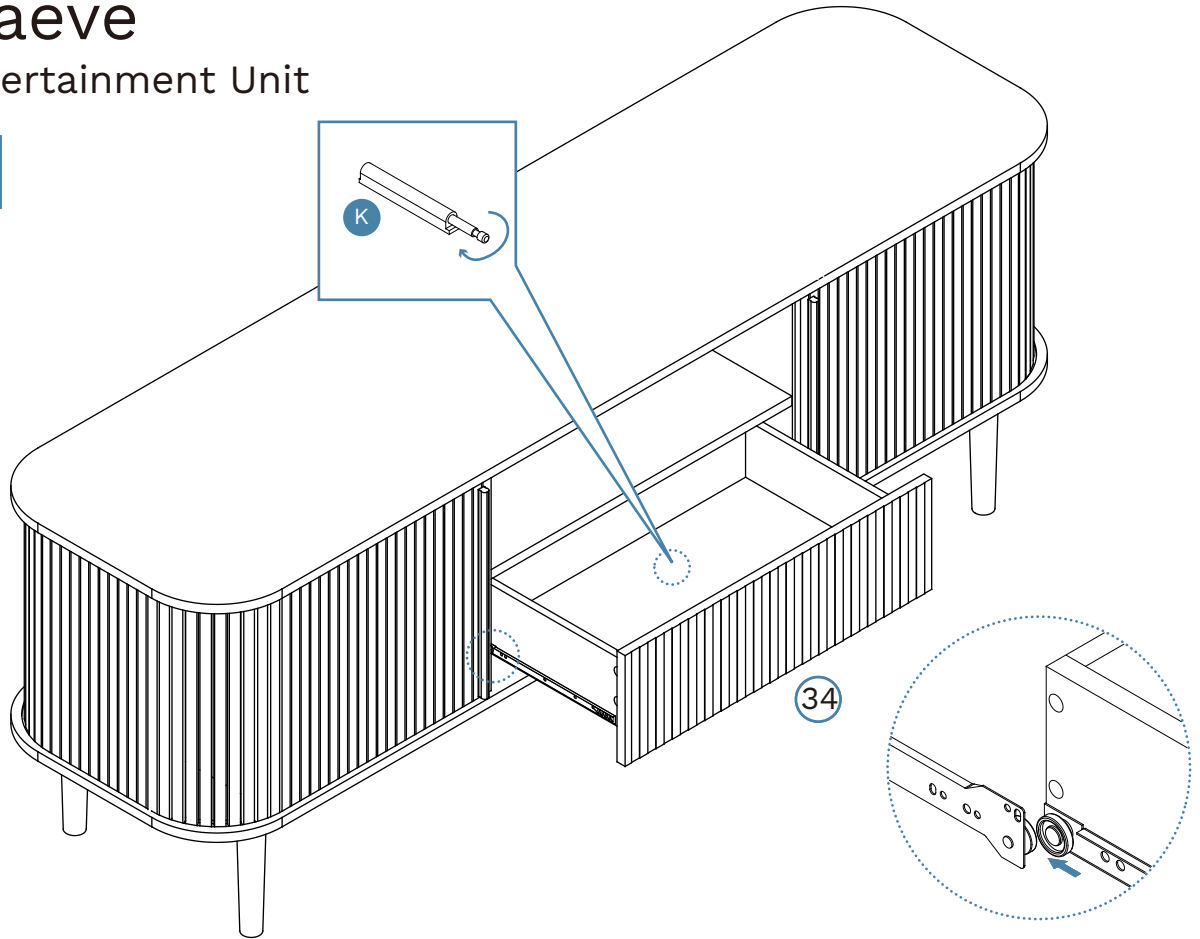
E		x4
DL		x1
DR		x1



Maeve

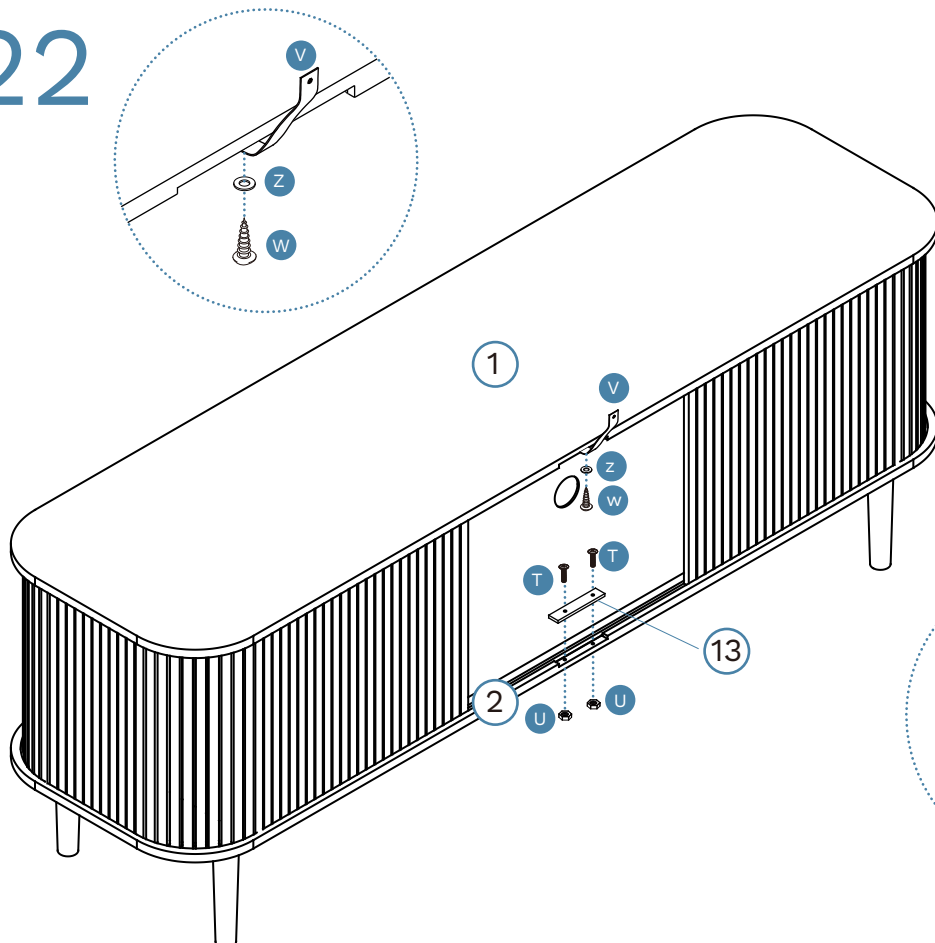
Entertainment Unit

21

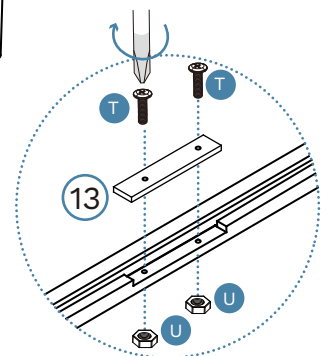


Insert the assembled drawers into the corresponding compartments as shown. Ensure the drawers slide easily along the rails. If the door is not catching or sitting flush, twist the end of the cover (K) until it catches on the seal (L).

22



Hardware Needed		
V		x1
W		x1
Z		x1
T		x2
U		x2

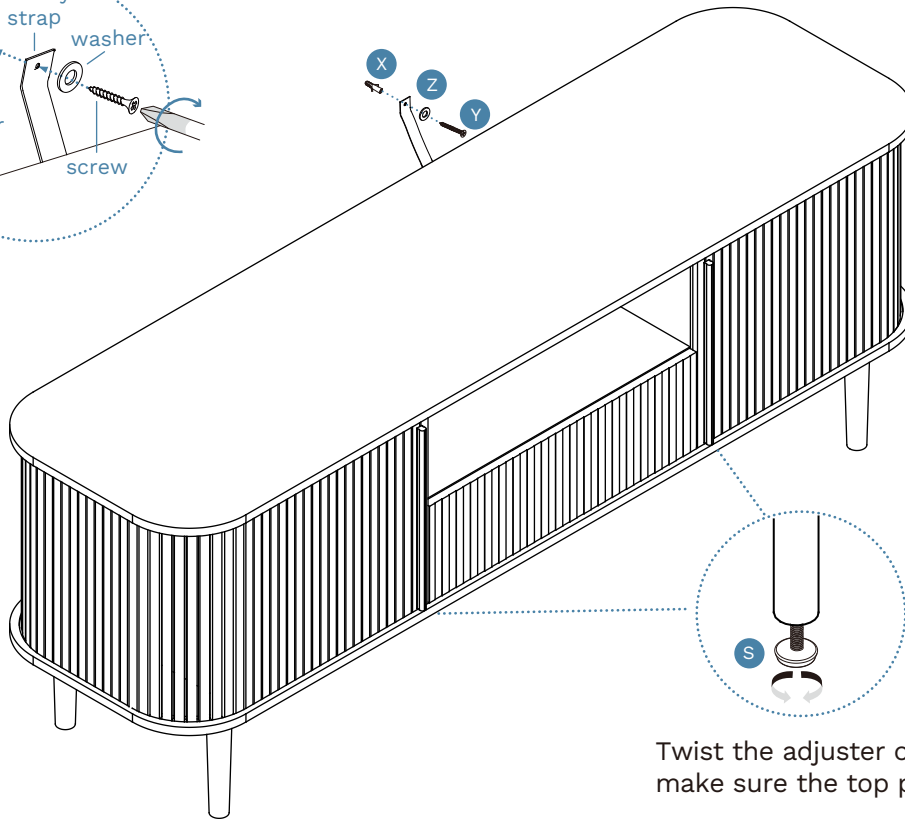
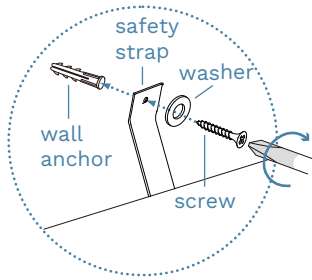





Maeve

Entertainment Unit

23

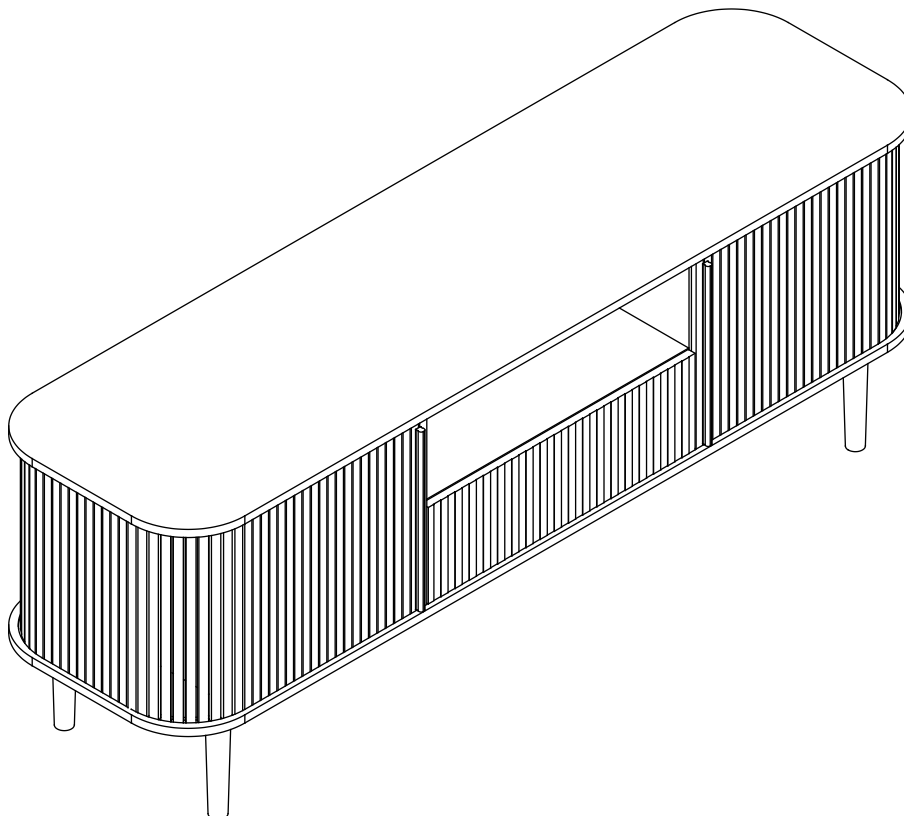
Note: Seek advice from a qualified trades person on how to attach this safety strap to your specific wall.



Hardware Needed		
X		x1
Y		x1
Z		x1

Twist the adjuster on centre leg to make sure the top panel is flush.

24



Once assembled lift furniture into place, do not drag. You're done, enjoy!